



## Garden shed "HB" series 2.5×2

Project Dimensions

2.5 × 2 / 3.8 m<sup>2</sup>

Цена

**1,958 €**

### Timber



45 mm



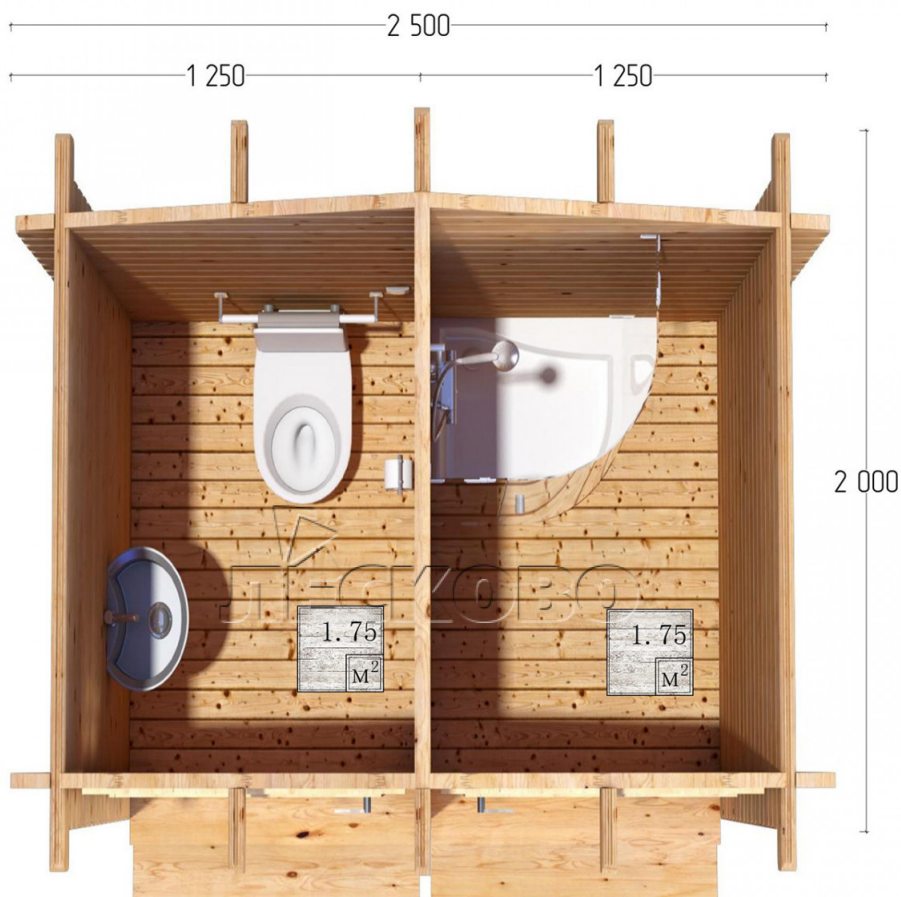
65 mm  
+ 461 €

### Assembling a house kit

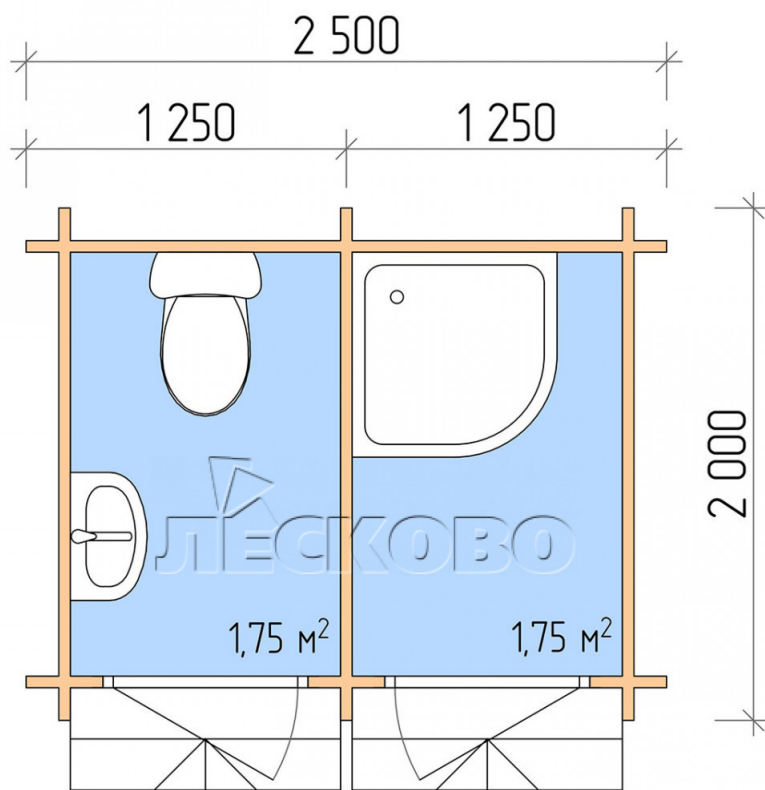
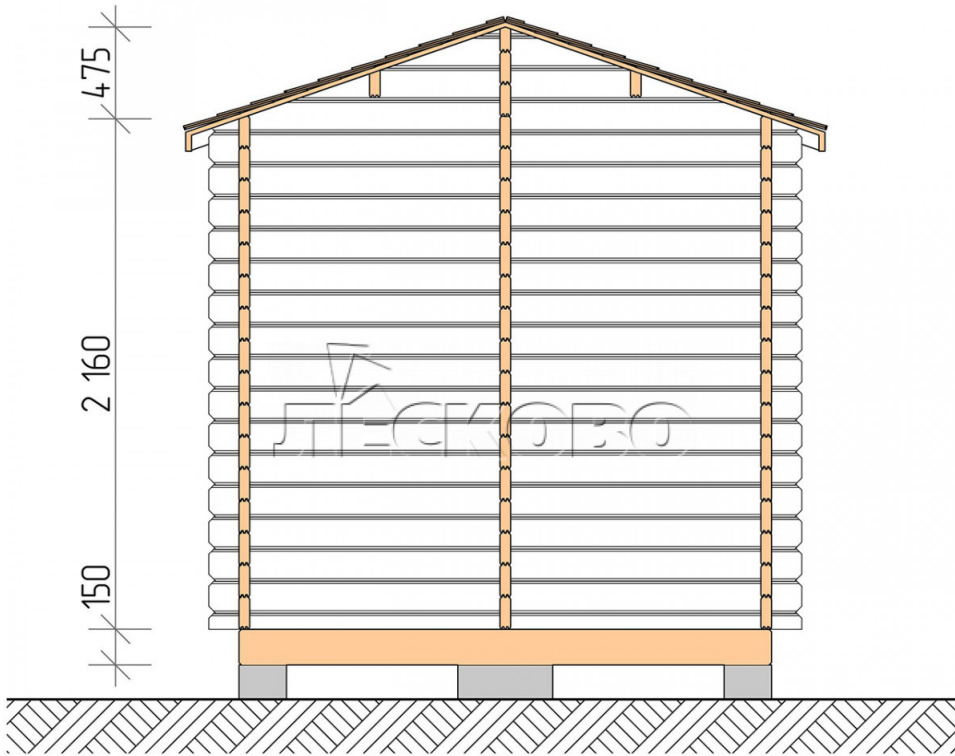
No assembly required

Assembly required  
+ 490 €

# Project planning



# Разрез



## House Kit

- Wall kit: mini-chamber drying chamber 44 × 145 mm with bowls for the project;

- Logs, lower harness: board 45 × 145 mm chamber drying 10-12%;
- Floors: floorboard 35 mm, chamber drying;
- Ceiling: imitation of a bar 20 × 135 mm, chamber drying;
- Wooden windows, glass 4 mm, Single. Treatment with a colorless antiseptic. Hardware;

{{ attribute\_windows }}

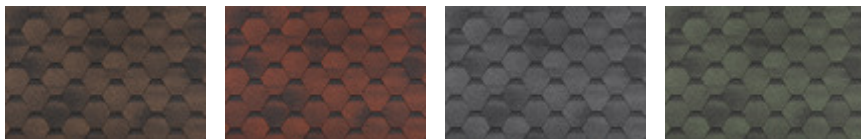
- Wooden doors;



2 шт.

7. Platbands: dry planed board 20 × 100 mm;

8. Roof: shingles;



9. Skirting board 35 mm.

+7 (4942) 499-770

156014, г. Кострома, ул. Базовая, д. 8